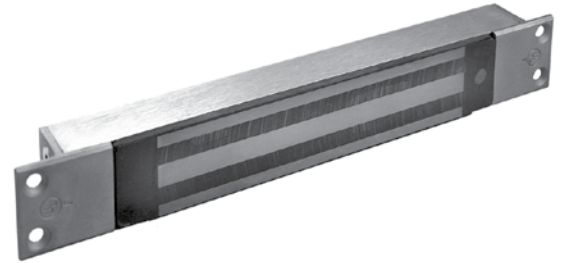




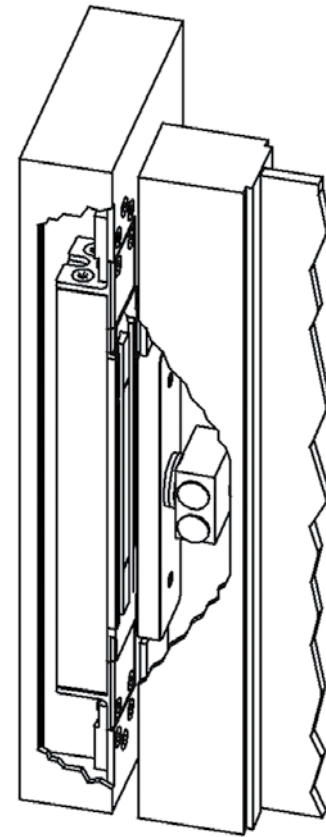
M34R 500lb Holding Force Recessed Magnalock®

Application - 500 lb. holding force Magnalock with automatic dual voltage for mounting in sliding doors. This results in an aesthetically appealing finished appearance. Recommended for applications where physical assault on the door is not expected, like access controlled interior rooms and secure areas within buildings.



Features and Benefits

- Patented instant release circuit - no residual magnetism
- Recessed for aesthetically appealing finish
- Fully sealed electronics - tamper proof and weatherproof
- Architectural brushed stainless steel finish (US32D/630)
- All ferrous metal surfaces plated to MIL specification
- Ten feet [3.05m] of jacketed, stranded conductor
- Automatic dual voltage - no field adjustment required
- Lock options include BondSTAT magnetic bond sensor and integrated door position switch
- UL Listed

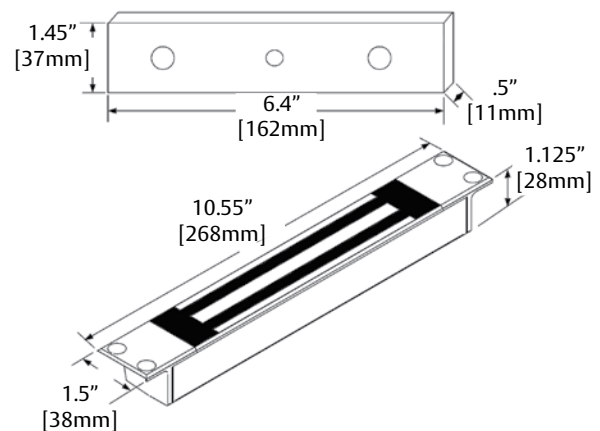


Specification Data

Holding Force: 500 lbs. [227 Kg.]
 Current Draw and Voltage: 320mA at 12VDC; 170mA at 24VDC
 Operating Temperature: -40 to +140F [-40 to +60C]
 Shipping Weight: 5 lbs.
 Warranty: MagnaCare Lifetime Replacement Warranty

How To Order

Part #	Description
M34R	Magnalock Model 34 - Recessed
M34RB	M34 - Recessed, Mag Bond Sensor
M34RD	M34 - Recessed, Door Position Switch
M34RBD	M34 - Recessed, Mag Bond Sensor, Door Position Switch



NEMA: 4X IEC: IP 66

