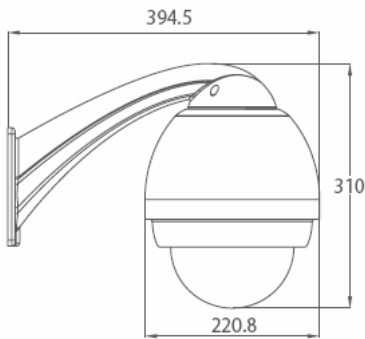
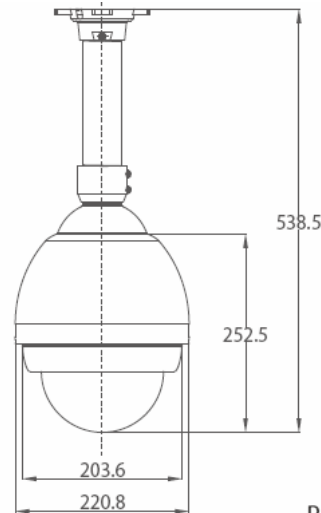
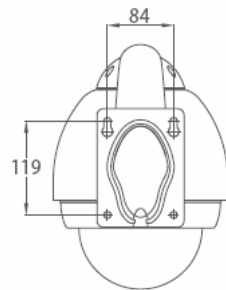


## ICR-PTZ-2300E&: 700TVL High Speed PTZ Vandal Proof Dome Camera with 23X Optical Zoom and 12X Digital

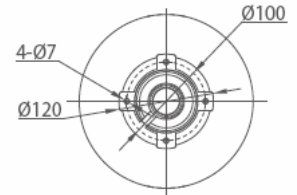
- 1/3" SONY 960H CCD
- Powerful 23x optical zoom and 16x digital zoom
- 15fps@1.3M(1280x960) & 30fps@720P resolution
- Day/Night(ICR), Auto iris, Auto focus, AWB, BLC
- Up to 24 privacy masking areas
- Max 240°/s pan speed, 360° continuous pan rotation & auto flip with no blind spot monitor
- Up to 255 preset, 5 auto scan, 8 tour, 5 pattern
- Auto recognition of general protocols such as DH-SD, Pelco-P/D, and etc
- Speed setup according to the focal distance, auto rotation speed adjust in accordance with the lens zoom rate
- Auto restore to previous PTZ and lens status after power failure
- Time Task: Auto activation of Preset/Scan/Tour/Pattern by preset-time
- Idle Motion: Call preset/tour and etc operations after idle for the specified time (including the idle status after the system boots up)
- OSD and operation prompts of various languages
- Build-in 7/2 channel alarm input/output
- Intelligent 3D positioning function
- IP66 all-environments protection, 4000V thunder-proof
- Easy installation with user-friendly designs IR LED
- The longest distance of the build-in IR LED is 250 feet



Wall Mount



Pendant



### Camera

Image Sensor	1/3" SONY 960H CCD
Horizontal Resolution	700 TVL
Effective Pixels	976(H) x 582(V)
Lens	23X optical zoom f=3.9mm(Wide)~89.7mm(Tele), F1.6~F2.7
Digital Zoom	16X (Total 368X)
Horizontal Viewing Angle	57.58° ~ 3.12°
Min. Object Distance	10mm(wide) ~ 1000mm(Tele)
Min. Illumination	0.1Lux/F1.6(Color), 0.01Lux/F1.6(B/W), 0Lux (IR ON)
Electronic Shutter	NTSC:1/4~1/10000s, PAL:1/3~1/10000s, 20 level
White Balance	Auto/ATW/Indoor/Outdoor/Manual
BLC	ON/OFF
WDR	ON/OFF
Day/Night	Auto(ICR) / Color / B/W
S/N Ratio	More than 50 dB
Privacy Masking	ON/OFF (up to 24 privacy masking areas)
Analog Video Output	BNC(1.0Vp-p / 75Ω), PAL / NTSC

### Video & Audio

Video Compression	H.264 / MPEG4
Image Resolution	D1(704x576/704x480) / CIF(352x288/352x240) / QCIF(176x144/176x128)
Encoding Speed	Main Stream: PAL: 1.3M(1~12fps), 720P(1~25fps) / NTSC: 1.3M(1~15fps), 720P(1~30fps) Extra Stream: PAL: D1/CIF/QCIF (1~25fps) / NTSC: D1/CIF/QCIF (1~30fps)
Bit Rate	32K~8Mbps
Audio Compression	G.711a(32Kbps) / AMR(10.2Kbps)
Audio Mode	Off/Audio input/Audio output

### Dome Drive

Pan/Tilt Range	Horizontal: 0~360° endless, Vertical: -2~90° auto flip 180°
Manual Control Speed	Horizontal: 0.1°~160°/s, Vertical: 0.1°~120° /s
Preset Speed	Horizontal: 240°/s, Vertical: 200°/s
Preset	255
PTZ Mode	5 Auto Pattern, 8 Auto Tour, 5 auto scan
3D Positioning	Yes
Speed Setup	Human-oriented focal Length/ speed adaptation
Info Display	Time, Location, Dome title, Dome coordinates, Temperature, Alarm, and etc.
Power-up Action	Auto restore to previous PTZ and lens status after power failure
Idle Motion	Activate preset/scan/tour/ patter if there is no command in the specified period.
Time Task	Auto activation of Preset/Scan/Tour/ Pattern by preset-time
Alarm	7/2 alarm input/output, Triggering Preset/Tour/Pattern/Scan/Alarm output
Protocol	ICR-SD, Pelco-P/D, Auto recognition of general protocols
IR LED	Auto / Near light / Far light / OFF, 6 Near light + 8 Far light, up to 250'

### General

Power Supply	AC 24V/3A (±10%)
Power Consumption	12W / 30W(IR LED ON)
Working Temperature	-40°F~140°F / -40°C ~ 60°C
Working Humidity	< 90%
Protection Level	IP66, 4000V thunder, surge and wave protection
Dimension	Φ1.16" x 13.85" - Φ29.6(mm) x 352(mm)
Packing Size	20.66" x 12.8" x 13.38" - 525(mm) x 325(mm) x 340(mm)
Weight (Approx)	15.4lb or 7.0 kg or 246.92oz