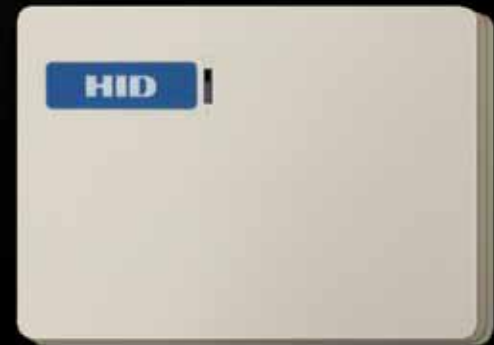


# ProxPass® II Active Tag

125 kHz Proximity

Long Range Proximity for Vehicle Access Control • 1351



## **ACCESS** reliability.

### Application

The ProxPass® II is an active tag specifically designed for vehicle access control. Providing convenient access control for parking and fleet management applications, ProxPass II is an ideal augmentation to an existing or new HID proximity installation. The ProxPass II can be encoded with any HID format and numbering system used by HID proximity cards, including the Corporate 1000 format.

### Features

- ▶ Access door permits convenient battery replacement.
- ▶ Provides up to six foot read range.
- ▶ Velcro backing attaches easily to interior of vehicle windshield.
- ▶ Attractive, durable sealed case.
- ▶ Compatible with MaxiProx® reader and all HID card formats.
- ▶ Two to five year battery life, depending on usage.
- ▶ Competitively priced as compared to VHF vehicle tags.

## Features

<b>Description</b>	RF-programmable, customer specified ID numbers
<b>Options</b>	External numbering
<b>Easily Administered</b>	A cross-reference list correlating the external card number and the programmed ID number provides easy system administration.
<b>Security</b>	Offers over 137 billion unique codes.
<b>Long Life</b>	Dual battery design and low current draw allows two to five years with typical usage. (Replaceable battery)
<b>Durability</b>	Rugged, UV-resistant, sonic-welded polycarbonate case is also weather resistant
<b>Warranty</b>	One year warranty against defects in materials and workmanship (see complete sales policy for details).

## Specifications

### \*Read Range using MaxiProx® reader

Up to 6' (1.8 m)

\*Depending on local installation conditions.

### Mounting Location

Interior windshield, driver's side, upper or lower corner

**Note:** Ideal mounting location is on interior windshield glass.

Mounting on metal will degrade performance.

### Dimensions

3.625" x 2.65" x 0.30"

(9.25cm x 6.75cm x .76cm)

### Operating Temperature

-22° to 185° F (-30° to +85° C)

### Battery

Two Panasonic lithium (Model BR2330)

### Environmental

5 – 95% RH, non-condensing

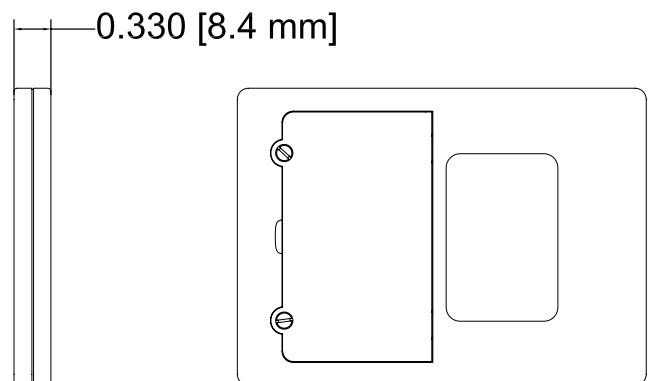
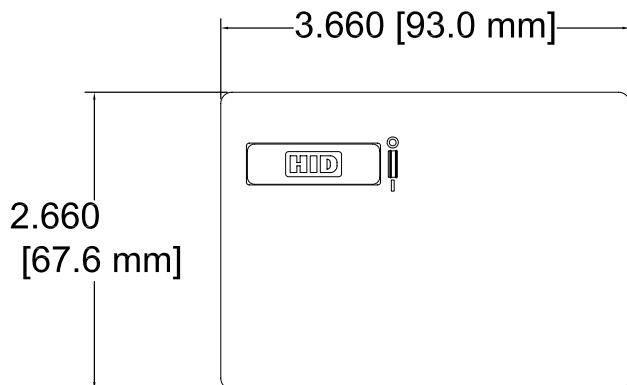
(Not for marine usage)

### Certifications

FCC Certification, Canada Certification, CE Mark (Europe),

New Zealand, Australia c-Tick, Taiwan

(Please see "How to Order Guide" for a description of the options and associated part numbers.)



© 2009 HID Global. All rights reserved. HID, and the HID logo are trademarks or registered trademarks of HID Global in the U.S. and/or other countries. All other trademarks, service marks, and product or service names are trademarks or registered trademarks of their respective owners. Rev. 07/2009



For best results, please print on recycled paper.

MKT-PROXPASSII-DS-EN



**ACCESS** experience.

[hidglobal.com](http://hidglobal.com)

#### HID Global Offices:

**Corporate North America**  
15370 Barranca Pkwy  
Irvine, CA 92618  
U.S.A.  
Phone: (800) 237-7769  
Phone: (949) 732-2000  
Fax: (949) 732-2360

**Asia Pacific**  
19/F 625 King's Road  
North Point  
Island East  
Hong Kong  
Phone: +852 3160-9800  
Fax: +852 3160-4809

**Latin America**  
Circunvalacion Ote. #201 B  
Despacho 2  
Col. Jardines del Moral  
Leon 37160, Gto.  
Mexico  
Phone: +52 477 779 1492  
Fax: +52 477 779 1493

**Europe, Middle East & Africa**  
Haverhill Business Park  
Phoenix Road  
Haverhill  
Suffolk  
CB9 7AE  
England  
Phone: +44 (0) 1440 714 850  
Fax: +44 (0) 1440 714 840