

SHX-52/SHX-52S DURABLE SPEAKER/ SPEAKER STROBE

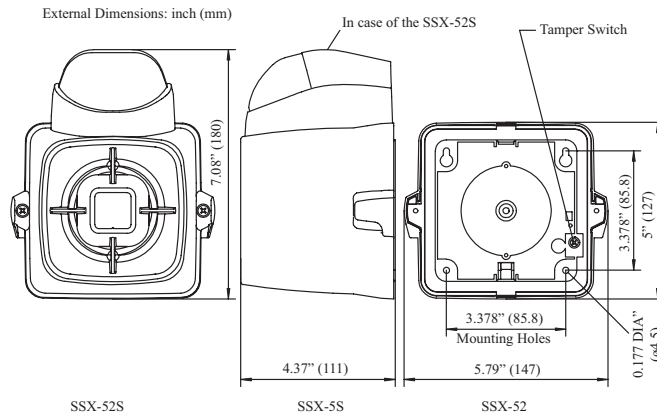


- Self-Contained Indoor/Outdoor Speaker/Speaker Strobe
- Sturdy aluminum back plate
- Strong Polycarbonate housing
- Dual tamper protection
- Frequency response range: 500-5000 Hz
- Up-front screw terminals for easy field wiring in square back box
- Mounts directly to the wall or four inch quarter backbox.
- Available strobe lens colors: Amber, Blue, Clear, Red

Patented

The SHX-52 is a patented indoor/outdoor, self-contained, 8 ohm, 15 watt speaker. The full featured speaker consists of a light weight, strong polycarbonate housing and dual-action plunger switch for tamper supervision for a normally closed loop. The speaker does not require additional modules, metal boxes, tamper switches, special tools, or training to install and operate. The SHX-52 series comes completely assembled and ready for installation. It is ideally suited for noisy, heavy, machinery areas, warehouses, loading docks, print shops, and busy production floors, or for indoor/outdoor applications where high quality and high output warning is required.

The SHX-52S Speaker Strobe is also available. It includes all of the great SHX-52 features with the addition of a colored strobe. The strobe uses a colored mirror and lens to ensure that the color can be easily distinguished and is available in amber, blue, clear, or red.



| Model Number | Power Input | Tamper Contact Capacity | Strobe Specifications | | | | Speaker Specifications | | | Operating Temperature Range |
|--------------|-------------|-------------------------|-----------------------|---------------|---------------|-------------------|------------------------|-----------|-----------------|------------------------------|
| | | | Lens Color | Rated Voltage | Rated Current | Flash Rate | Sound Output | Impedance | Frequency Range | |
| SHX-52 | 15 watts | 0.3A @12V DC | - | - | - | - | 97dBA | 8 Ohms | 500-5000Hz | -4°F - 140°F -20°C - 60°C |
| SHX-52SA | | | Amber | 12V DC | 180 mA | 60-100 times/min. | | | | |
| SHX-52SB | | | Blue | | | | | | | |
| SHX-52SC | | | Clear | | | | | | | |
| SHX-52SR | | | Red | | | | | | | |